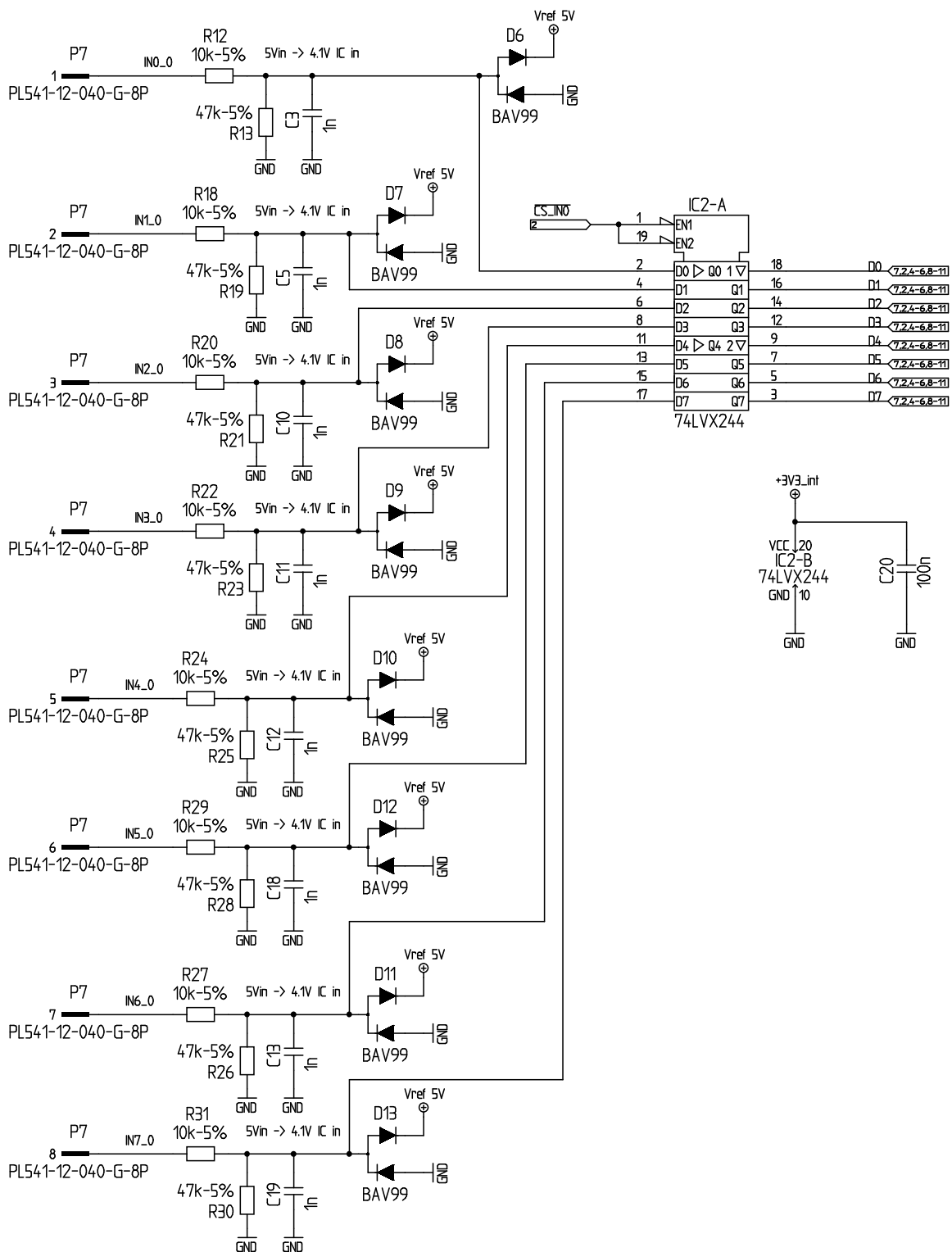
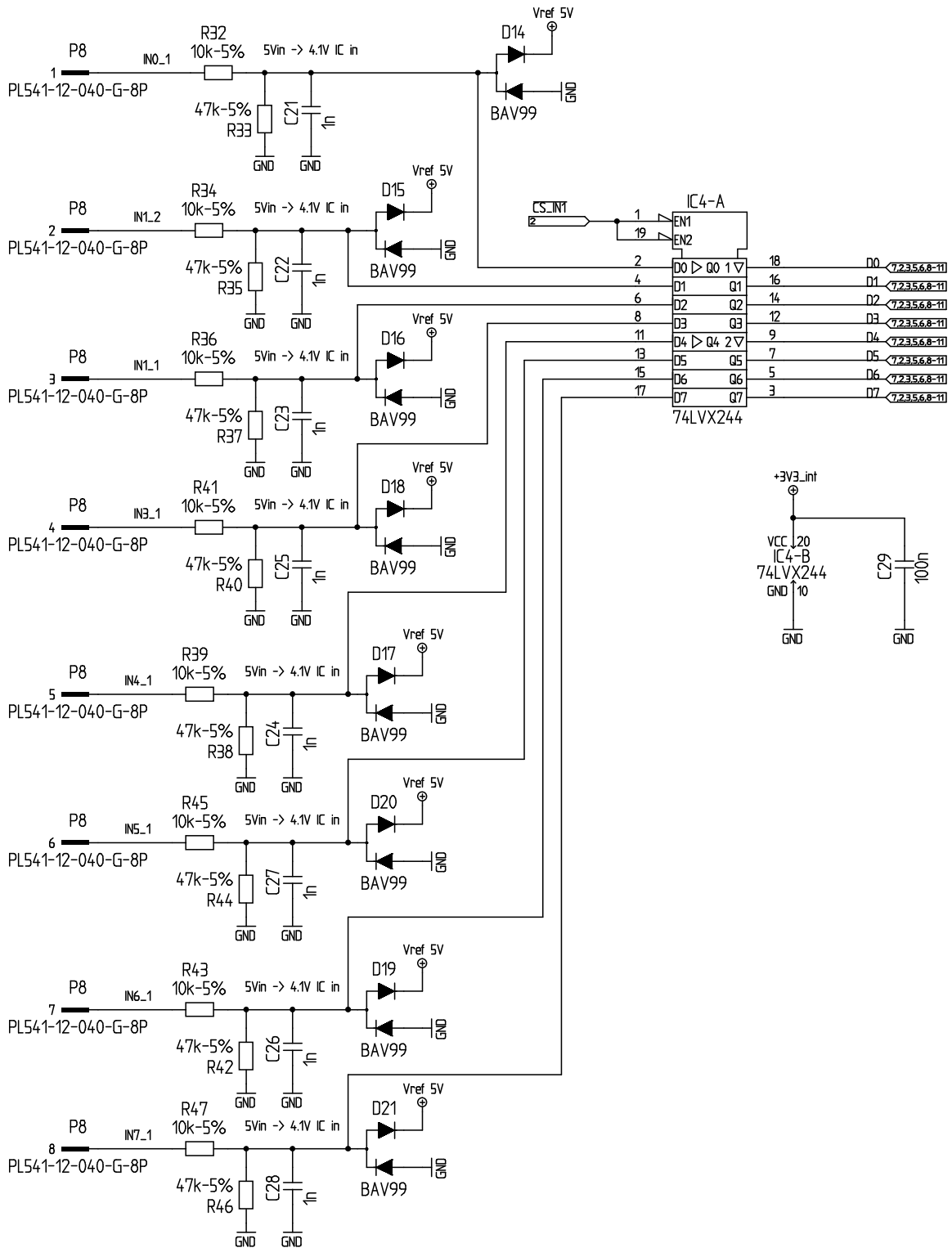


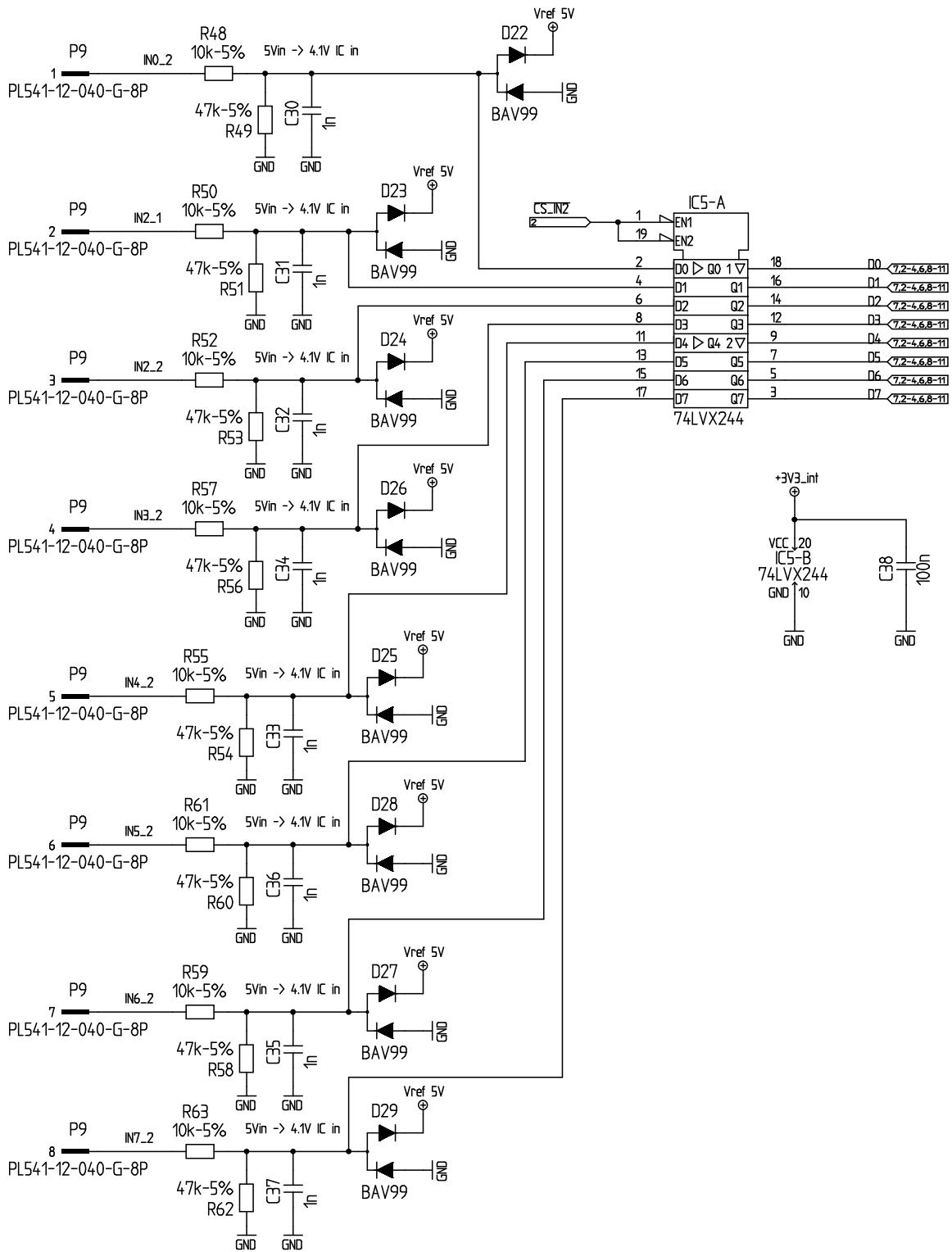
Digital input Bank0



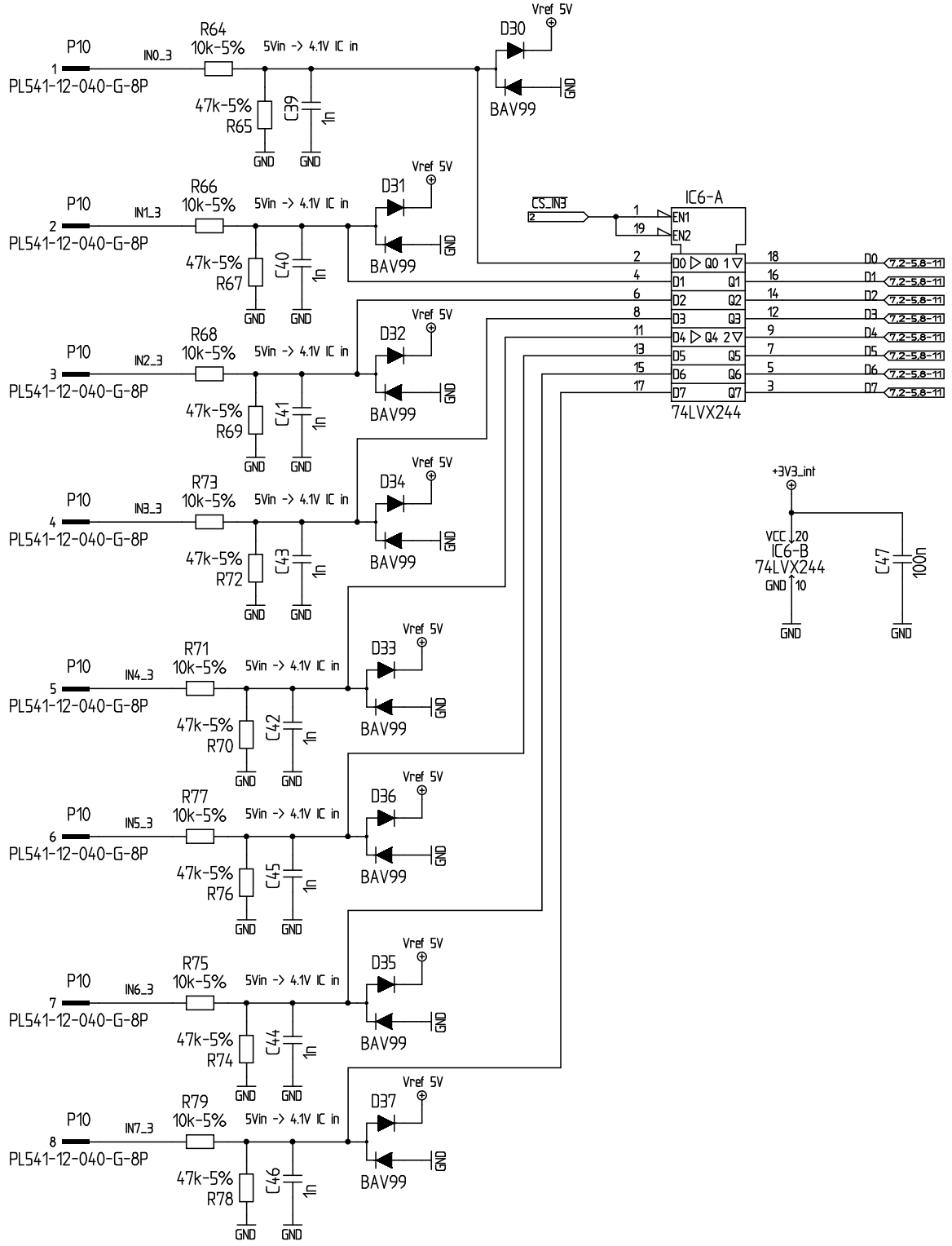
Digital Input Bank1



Digital input Bank2



Didital Input Bank3



Digital input Bank4

